



## 55watt Colour 840 Cool White 2GX13 Circular T5

LUMILUX T5 FC | Circular fluorescent lamps 16 mm



- Public buildings
- Offices
- Restaurants
- Industry
- Shops
- Supermarkets and department stores
- Hotels

### Product benefits

- Extremely economical
- Good quality of light
- Excellent luminous flux
- Excellent uniform illumination with no shadows
- Good average life (with OSRAM ECG)

### Product features

- Good color rendering group: 1B (Ra: 80...89)
- Dimmable (from 100...1 % with QT<sub>i</sub> DALI/DIM ECG)
- Single-ended round fluorescent lamp
- Tube diameter: 16.0 mm





## Technical data

### Electrical data

<b>Nominal wattage</b>	55 W
<b>Rated lamp efficacy (standard condition)</b>	76 lm/W
<b>Rated wattage</b>	55 W

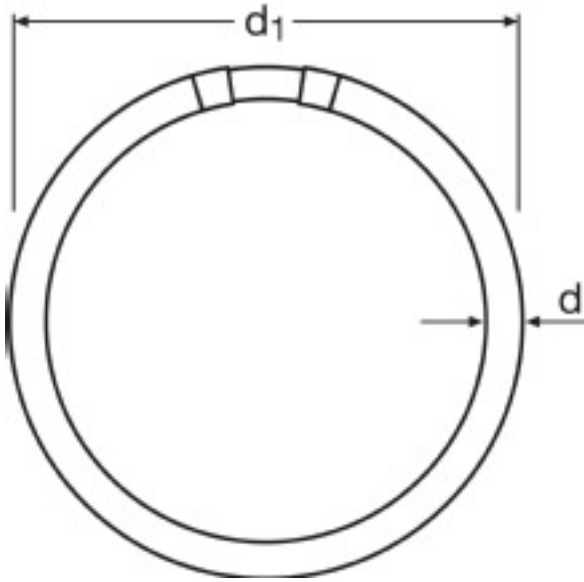
### Light technical data

<b>Color rendering index Ra</b>	80...89
<b>Rated luminous flux</b>	4200 lm
<b>Light color</b>	840
<b>Color temperature</b>	4000 K
<b>Nominal luminous flux</b>	4200 lm
<b>Light color as per EN 12464-1</b>	LUMILUX Cool White
<b>Rated LLMF at 2,000 h</b>	0.85
<b>Rated LLMF at 4,000 h</b>	0.83
<b>Rated LLMF at 6,000 h</b>	0.82
<b>Rated LLMF at 8,000 h</b>	0.80
<b>Rated LLMF at 12,000 h</b>	0.75

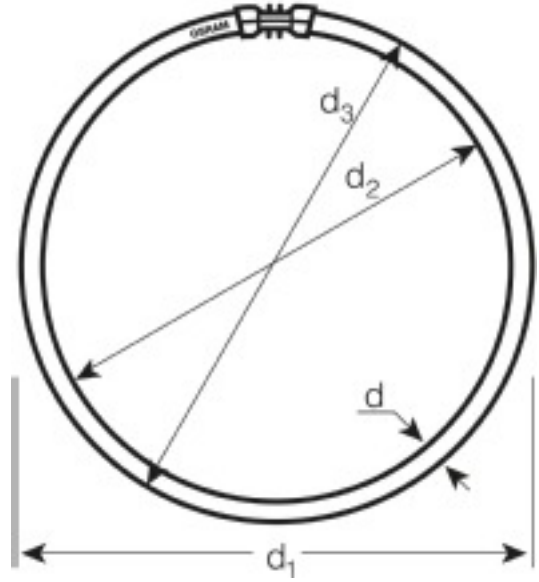
### Dimensions & weight

<b>Tube diameter</b>	16 mm
<b>Length</b>	305.0 mm
<b>Length with base excl. base pins/connection</b>	300.00 mm
<b>Diameter</b>	16.0 mm

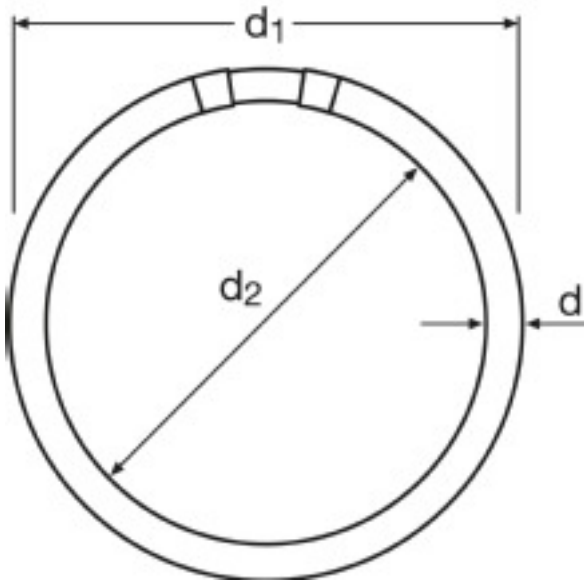




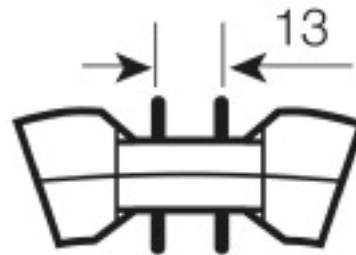
Product line drawing



Product line drawing - technical



Product line drawing - technical



Base





*Colors & materials*

<b>Lamp mercury content</b>	3.7 mg
-----------------------------	--------

*Temperatures*

<b>Rated ambient temp.w.max.luminous flux</b>	30.0 °C
---	---------

*Lifespan*

<b>Service life</b>	8000 h <sup>1)</sup>
<b>Lifespan</b>	12000 h <sup>1)</sup>
<b>Rated lamp survival factor at 2,000 h</b>	0.99
<b>Rated lamp survival factor at 4,000 h</b>	0.99
<b>Rated lamp survival factor at 6,000 h</b>	0.98
<b>Rated lamp survival factor at 8,000 h</b>	0.92
<b>Rated lamp survival factor at 12,000 h</b>	0.50
<b>Operation mode LLMF/LSF</b>	HF

1) With preheat ECG

*Additional product data*

<b>Base (standard designation)</b>	2GX13
<b>Appropriate disposal acc. to WEEE</b>	Yes
<b>Footnote used only for product</b>	Suitable for ECG operation only





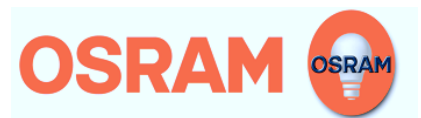
*Spectral power distribution*

*Capabilities*

<b>Suitable for indoor</b>	Yes
----------------------------	-----

*Certificates & standards*

<b>EEI – Energy Label</b>	B
---------------------------	---





## Lamp-ECG combination (System)

### *QTP-FC 1x55*

Nominal current	0.26 (A)
Nominal wattage	55 (W)
Nominal wattage + Power loss	59.00 (W)
Luminous flux	4200 (lm)
Ambient temperature range	-20...+50 (°C)
Number of lighting outlets	1

### Products

QTP-FC 1x55

### *QTi 1x28/54 DIM*

Nominal current	0.26 (A)
Nominal wattage	53.8 (W)
Nominal wattage + Power loss	59.00 (W)
Luminous flux	4450 (lm)
Ambient temperature range	+10...+50 (°C)
Number of lighting outlets	1

### Products

QTi 1x28/54 DIM

### *QTi 1x35/49/80 GII*

Nominal current	0.26 (A)
Nominal wattage	55 (W)
Nominal wattage + Power loss	59.00 (W)
Luminous flux	4200 (lm)
Ambient temperature range	-20...+50 (°C)
Number of lighting outlets	1

### Products

QTi 1x35/49/80 GII





**QTi 2x28/54 DIM**

Nominal current	0.51 (A)
Nominal wattage	107.6 (W)
Nominal wattage + Power loss	115.00 (W)
Luminous flux	4450 (lm)
Ambient temperature range	+10...+50 (°C)
Number of lighting outlets	2

**Products**

QTi 2x28/54 DIM

**QTi 2x35/49/80 GII**

Nominal current	0.53 (A)
Nominal wattage	110 (W)
Nominal wattage + Power loss	119.00 (W)
Luminous flux	4200 (lm)
Ambient temperature range	-20...+50 (°C)
Number of lighting outlets	2

**Products**

QTi 2x35/49/80 GII

**QTi DALI 1x28/54 DIM**

Nominal current	0.26 (A)
Nominal wattage	53.8 (W)
Nominal wattage + Power loss	59.00 (W)
Luminous flux	4450 (lm)
Ambient temperature range	+10...+50 (°C)
Number of lighting outlets	1

**Products**

QTi DALI 1x28/54 DIM





#### QTi DALI 2x28/54 DIM

Nominal current	0.51 (A)
Nominal wattage	107.6 (W)
Nominal wattage + Power loss	115.00 (W)
Luminous flux	4450 (lm)
Ambient temperature range	+10...+50 (°C)
Number of lighting outlets	2

#### Products

QTi DALI 2x28/54 DIM

### System guarantee

OSRAM System+ Guarantee in combination with OSRAM ECGs

### Equipment / Accessories

- Exclusively for operation on electronic control gears

### Safety advice

In case of lamp breakage: [www.osram.com/brokenlamp](http://www.osram.com/brokenlamp)

