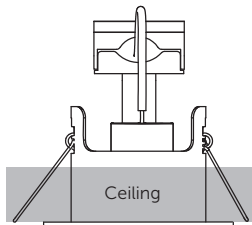




Firestay

- Fixed / Centre Tilt / Showerlight IP65 Downlights
- 30 / 60 / 90 minutes certified Firestay
- Part B / C / E compliant
- Suitable for 12V or 240V lamps (GU10 lamp holder included)
- Loop in/out terminals for speed of installation
- Die-cast aluminium body
- Twist lock lamp retaining mechanism
- Part L compliant with BELL Titan/Classic LED GU10
- IP65 (Showerlight only)

One fitting to fit all standard type lamps. Simply choose a BELL lamp for the application required (See pages 86-87).



Ultra Low Profile for 100mm ceiling voids

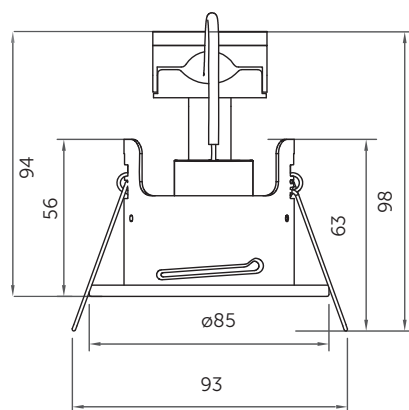
Tool Free Connector
2.5mm twin earth loop in / loop out push-fit connectors



Technical Specification

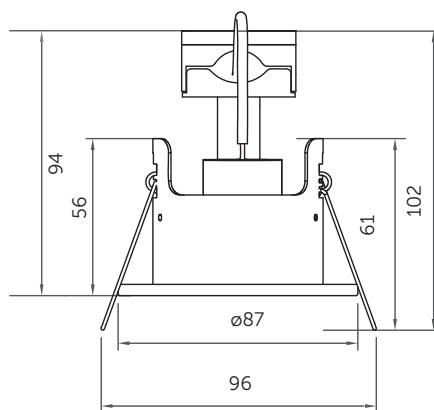
Data	
Construction	Pressed Steel
LED Chip	n/a
IP Rating	IP65 (Showerlight)
Operating Temp	n/a
Input Voltage	n/a
Power Factor	n/a
CRI	n/a
LMR	n/a

Fixed Downlight



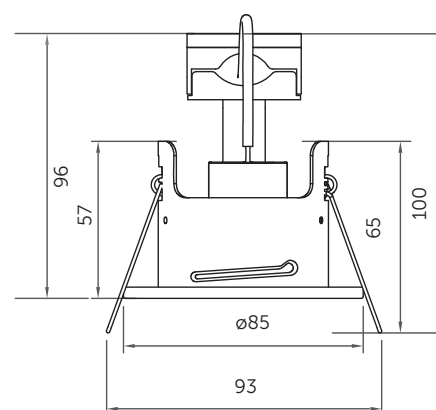
Cut-Out: 68mm

Centre Tilt Downlight



Cut-Out: 78mm

Showerlight IP65



Cut-Out: 68mm

Code	V	Description	Finish	Cut Out
10660	240	Fixed Downlight	White	68
10661	240	Fixed Downlight	Satin Nickel	68
10662	240	Fixed Downlight	Chrome	68
10663	240	Fixed Downlight	Antique Brass	68
10664	240	Fixed Downlight	Brass	68
10655	240	Centre Tilt Downlight	White	78
10656	240	Centre Tilt Downlight	Satin Nickel	78
10657	240	Centre Tilt Downlight	Chrome	78
10658	240	Centre Tilt Downlight	Antique Brass	78
10659	240	Centre Tilt Downlight	Brass	78
10650	240	Showerlight IP65	White	68
10651	240	Showerlight IP65	Satin Nickel	68
10652	240	Showerlight IP65	Chrome	68
10653	240	Showerlight IP65	Antique Brass	68
10654	240	Showerlight IP65	Brass	68



¹ Exceeds EU standard of 70 for Lumens Maintenance Ratio
² Exceeds EU standard of RA 80 for Colour Rendering Index
³ Subject to terms & conditions (Contact Customer Service)