



MAS LED spot VLE D 5.5-35W MR16 840 36D MASTER LEDspot MV



Delivering a warm, halogen-like accent beam, MASTER LEDspot LV is an ideal retrofit solution for spot and general lighting applications in the hospitality industry. It is particularly suited to public areas such as receptions, lobbies, corridors, stairwells and washrooms, where the light is on all the time. The robustly designed MASTER LEDspot offers a choice of beam angles for a clearly defined beam spread. There is no UV or IR in the beam, making it suitable for illuminating heat-sensitive objects (food, organic materials, paintings, etc.). The patented intelligent driver enables broad compatibility with existing electromagnetic and electronic halogen transformers. The dimmable versions drive further efficiencies, while helping to create the desired atmosphere.

Product Data

General Information	
Cap base	GU5.3
Nominal lifetime (nom.)	25,000 h
Switching cycle	50,000 X
Technical type	5.5-36 W
Light Technical	
Color Code	840 [CCT of 4000K]
Beam Angle (nom.)	36 °
Luminous flux (nom.)	490 lm
Luminous flux (rated) (nom.)	490 lm
Luminous Intensity (nom.)	1100 cd
Colour designation	Cool white (WW)
Correlated colour temperature (nom.)	4000 K
Luminous efficacy (rated) (nom.)	89.09 lm/W
Colour consistency	< 6
Color rendering index (nom.)	80
LLMF at end of nominal lifetime (nom.)	70%
Luminous Flux in 90° Cone (Rated)	490 lm

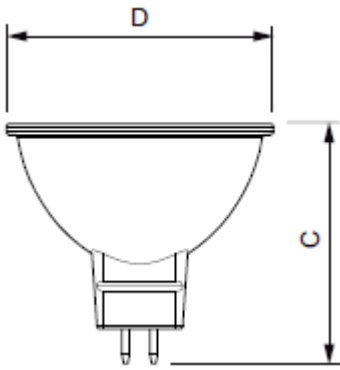
Operating and Electrical	
Power (Rated) (nom.)	5.5 W
Lamp current (nom.)	630 mA
Wattage equivalent	35 W
Starting time (nom.)	0.5 s
Warm-up time to 60% light (nom.)	0.5 s
Power factor (nom.)	0.8
Voltage (nom.)	AC Electronic 12V
Temperature	
T-Case maximum (nom.)	96 °C
Controls and Dimming	
Dimmable	Yes
Approval and Application	
Suitable for accent lighting	Yes
Energy efficiency label (EEL)	A++
Energy Consumption kWh/100 h	7 kWh
Product Data	
Net weight (piece)	0.045 kg



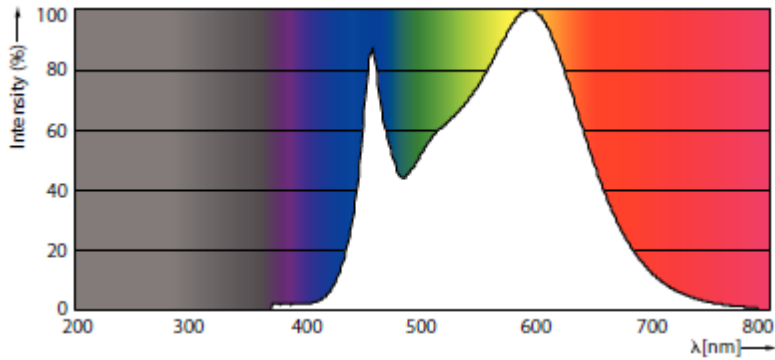
Warning and Safety

- Operating temperature range is between -20° C and 45° C ambient
- Only to apply in dry or damp locations and most of open fixtures with lamp-holders that offer sufficient space (10 mm free air space)
- Not intended for use with emergency light fixtures or exit lights

Dimensional drawing



Photometric Data



Lifetime

