



15watt BC B22 Bayonet Cap Equivalent to 75watt



MASTER PL-Electronic

MASTER PL-E 15W/827 B22 220-240V 1CT

Non-covered energy-saving MASTER lamps - the perfect choice for end users who demand the best performance and reliability. With a wide product range with different wattages, it offers comprehensive choices to suit different usages and applications

Product data

• General Characteristics

Cap-Base	B22 [B22d]
Bulb	Stick
Life to 50% failures	20000 hr
Nominal Lifetime	20000 hr
Rated Lifetime (hours)	20000 hr
Rated Lifetime (years)	20 an

• Light Technical Characteristics

Color Code	827 [CCT of 2700K]
Color Rendering Index	82 Ra8
Color Designation (text)	Warm White
Color Temperature	2700 K
Color Temperature Technical	2700 K
Luminous flux lamp	890 Lm
Rated Luminous Flux	890 Lm
Luminous Efficacy Lamp	58.3 Lm/W
Lumen Maintenance 2000h	90 %
Lumen Maintenance 6000h	80 %
LLMF - end nominal lifetime	65 %
Chromaticity Coordinate X	463 -
Chromaticity Coordinate Y	420 -

• Electrical Characteristics

Rated Wattage	15.0 W
Lamp Wattage	15 W
Power Factor	0.6 -
Voltage	220-240 V
Lamp Current mA	110 mA
Line Frequency	50/60 Hz
Dimmable	No
Wattage Equivalent	70 W
Starting Time	1.0 s
Warm-up Time to 60% Light Outp	10 (min), 60 (max) s

• Environmental Characteristics

Energy Efficiency Label (EEL)	A
Mercury (Hg) Content	1.4 (nom), 1.5 (max) mg
Energy consumption kWh/1000h	15 kWh

• Measuring Conditions

Switching cycle	50000X
-----------------	--------

• Product Dimensions

Overall Length C	124.7 (max) mm
Diameter D	39.6 (max) mm
Width F	48 (max) mm

• Product Data

Order code	929689142101
Full product code	929689142101



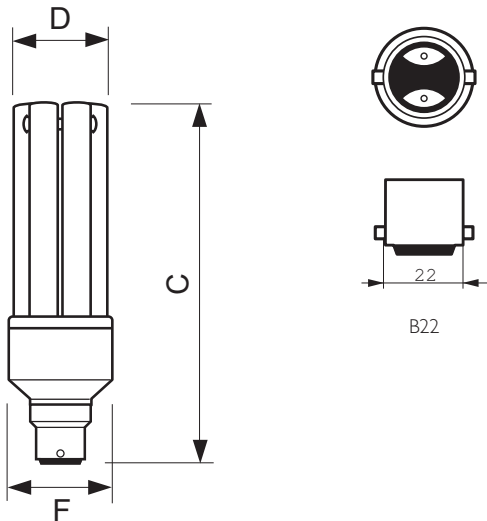
Full product name MASTER PL-E 15W/827 B22
220-240V 1CT
Order product name MASTER PL-E 15W/827 B22
220-240V 1CT/6
Pieces per pack 1
Packing configuration 6
Packs per outerbox 6

Bar code on pack - EAN1 8711500752055
Bar code on outerbox - EAN3 8711500714817
Logistic code(s) - 12NC 929689142101
Net weight per piece 84.000 gr

Warnings and Safety

- *Breaking a lamp is extremely unlikely to have any impact on your health. If a lamp breaks, ventilate the room for 30 minutes and remove the parts, preferably with gloves. Put them in a closed plastic bag and take it to your local waste facilities for recycling. Do not use a vacuum cleaner.*
- *Compact fluorescent lamps have to be treated as special waste, they must be taken to your local waste facilities for recycling. The European Lighting Industry has set up an infrastructure, capable of recycling mercury, other metals, glass etc.*

Dimensional drawing



MASTER PL-E 15W/827 B22 220-240V 1CT

