



24watt 4pin Colour 840 Cool White

OSRAM DULUX F | Flat CFLni, 2 tubes, with 4-pin base for ECG/CCG operation



Areas of application

- Offices, public buildings
- Shops
- Supermarkets and department stores
- Hotels, restaurants
- Industry

Product benefits

- Very economical
- Good quality of light
- Excellent luminous efficiency
- Extremely low profile
- Long service life

Product features

- Short and compact pin-base lamp with double-turn tubes
- Single-ended four-pin plug-in 2G10 base
- Average life: 10,000 h
- Color rendering index R_a : 80...89





DATA TABLE

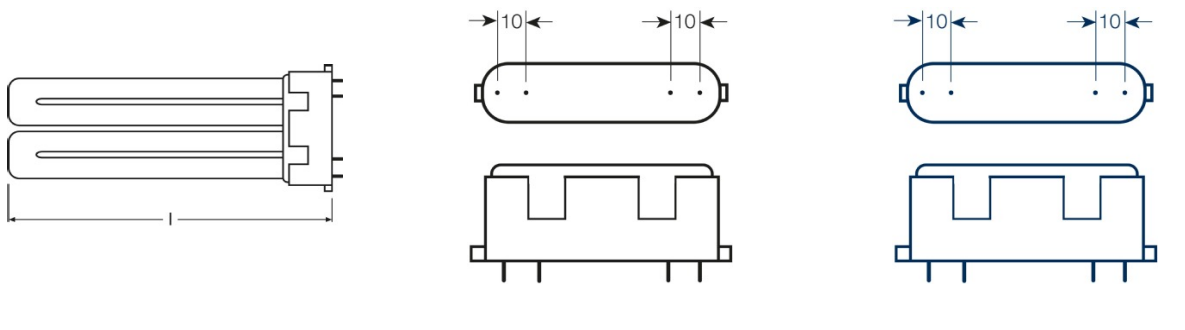
Electrical data

Nominal wattage	24 W
Rated lamp efficacy (standard condition)	71 lm/W
Rated wattage	24 W
Energy consumption	27 kWh/1000h

Light technical data

Nominal luminous flux	1700 lm
Color temperature	4000 K
Color rendering index Ra	80...89
Rated luminous flux	1700 lm
Luminous flux at 25 °C	1700 lm
Light color	840
Light color as per EN 12464-1	LUMILUX Cool White
Rated LLMF at 2,000 h	0.90
Rated LLMF at 4,000 h	0.86
Rated LLMF at 6,000 h	0.83
Rated LLMF at 8,000 h	0.81
Rated LLMF at 12,000 h	0.79
Luminance	2.5 cd/cm ²

Dimensions & weight



Product line drawing

Base

Base

Overall length	165.0 mm
Tube diameter	17.5 mm



Length	165.0 mm
Length acc. to IEC standard	165 mm

Colors & materials

Lamp mercury content	2.4 mg
-----------------------------	--------

Temperatures

Rated ambient temp.w.max.luminous flux	25.0 °C
---	---------

Lifespan

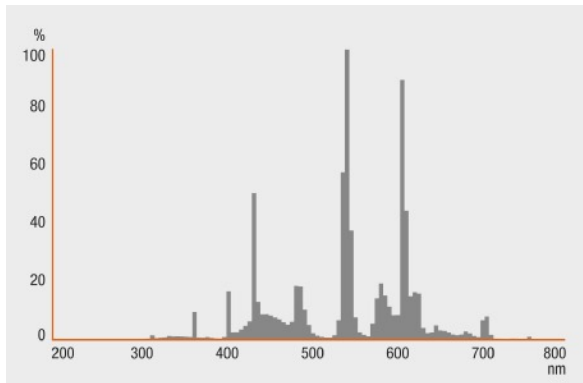
Nominal lamp life time	10000 h
Service life	5000 h ¹⁾
Rated lamp survival factor at 2,000 h	0.99
Rated lamp survival factor at 4,000 h	0.99
Rated lamp survival factor at 6,000 h	0.95
Rated lamp survival factor at 8,000 h	0.88
Rated lamp survival factor at 12,000 h	0.64
Operation mode LLMF/LSF	HF
Lifespan	10000 h ¹⁾
Rated lamp life time	10000 h

¹⁾ With preheat ECG





Additional product data



Spectral power distribution

Base (standard designation)	2G10
Appropriate disposal acc. to WEEE	Yes

Capabilities

Suitable for indoor	Yes
----------------------------	-----

Certificates & standards

Energy efficiency class	A
--------------------------------	---





Lamp-ECG combination (System)

Product name	Product name ECG	EAN	Nominal current	Nominal wattage	Nominal wattage + Power loss	Luminous flux	Ambient temperature range	Number of lighting outlets
DULUX F 24W/840 2G10	QT-ECO 1x18-24/220-240 L		0.16 A	20 W	22.50 W	1500 lm	-15...+50 °C	1
	QT-ECO 1x18-24/220-240 S		0.16 A	20 W	22.50 W	1500 lm	-15...+50 °C	1
	QT-M 2x26-42/220-240 S		0.23 A	49 W	54.00 W	1700 lm	-20...+50 °C	2
	QTP-DL 1x18-24		0.115 A	22 W	26.00 W	1700 lm	-20...+50 °C	1
	QTP-DL 2x18-24		0.22 A	44 W	49.00 W	1700 lm	-20...+50 °C	2
	QTP-M 1x26-42		0.12 A	22 W	25.00 W	1650 lm	-20...+50 °C	1
	QTP-M 2x26-32		0.21 A	44 W	48.00 W	1650 lm	-20...+50 °C	2
	QTP-OPTIMAL 1x18-40							
	QTP-OPTIMAL 2x18-40							
	QTi 1x14/24 DIM		0.11 A	22.5 W	25.00 W	1700 lm	+10...+50 °C	1
	QTi 2x14/24 DIM		0.22 A	45 W	49.00 W	1700 lm	+10...+50 °C	2
	QTi 3x14/24 DIM		0.32 A	66 W	74.00 W	1700 lm	+10...+50 °C	3
	QTi 4x14/24 DIM		0.43 A	96 W	97.60 W	1800 lm	+10...+50 °C	4
	QTi DALI 1x14/24 DIM		0.11 A	22.5 W	25.00 W	1700 lm	+10...+50 °C	1
	QTi DALI 2x14/24 DIM		0.22 A	45 W	49.00 W	1700 lm	+10...+50 °C	2
	QTi DALI 3x14/24 DIM		0.32 A	72 W	73.40 W	1700 lm	+10...+50 °C	3
	QTi DALI 4x14/24 DIM		0.43 A	96 W	97.60 W	1700 lm	+10...+50 °C	4

The Lightbulb Company UK Ltd Thomas Edison House 41 Murdock Road Bicester Oxon OX264PP

Tel: 01869 362222 Fax: 01869 362224 Email: enquiries@thelightbulb.co.uk www.thelightbulb.co.uk

Company registration no: 2855611

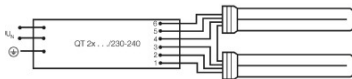


Equipment / Accessories

- Suitable for operation on electronic and conventional control gear

Safety advice

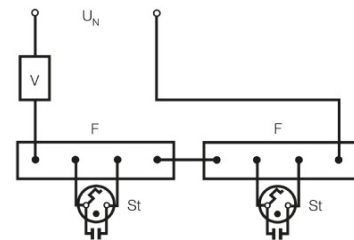
In case of lamp breakage: www.osram.com/brokenlamp



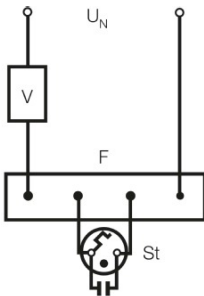
Circuit diagram



Circuit diagram



Circuit diagram



Circuit diagram

